

OFFLINE COURSE

TOTAL STATION SURVEY TRAINING



A Complete Practical Training for
Total Station Survey Professionals



Introduction to Total Station
& Its Components



Instrument Setup
& Station Setting



Angle Measurement
(Horizontal & Vertical)



Distance Measurement
(EDM)



Staking Out Points
& Layout Surveys



Road & Curve
Setting Out



Data Collection &
Field Book Preparation



Data Transfer to
AutoCAD & MS Excel



Practical Exercises
& Real Time Projects



LEARN PRACTICAL SKILLS

Hands-on training with Total Station
in real field conditions



Accurate
Measurements



Improved
Productivity



Industry
Relevant Skills

Fees

₹15,500/-

Duration

1 Month



+91 97-111-555-85



reinforceqst.com



ISO 9001:2015
Training Certified



Actively Learning with
Real Time Projects



Practical Learning
Environment



Plot 3A, GF, Westend Marg, Lane 2, Near Saket Metro Station Gate No. 2, New Delhi 110030

About us

Reinforce Civiltech Private Limited is an ISO-certified training institute **established in 2016**, dedicated to providing practical and industry-oriented training in the field of construction and civil engineering. Our programs are designed to bridge the gap between academic learning and real-world industry requirements through hands-on training and expert guidance.

Over the years, we have trained and empowered **more than 1 lakh** students and professionals, many of whom are now working with reputed companies across India. We have also provided corporate training to leading companies such as **Patel Engineering, DLF , and Larsen & Toubro (L&T)** , along with conducting **100+ seminars and 500+ workshops** across colleges and construction organizations nationwide.

Vision

Our vision is to empower civil engineering students and working professionals with **practical knowledge and hands-on industry experience**. We aim to deliver training as per industry standards and requirements, helping trainees enhance their skills, improve employability, and secure rewarding career opportunities.

With more than **10 years of experience**, **Reinforce Civiltech Private Limited** has established itself as a trusted training provider in the civil engineering sector, supported by a team of experienced trainers and industry experts.

Training Glimpses

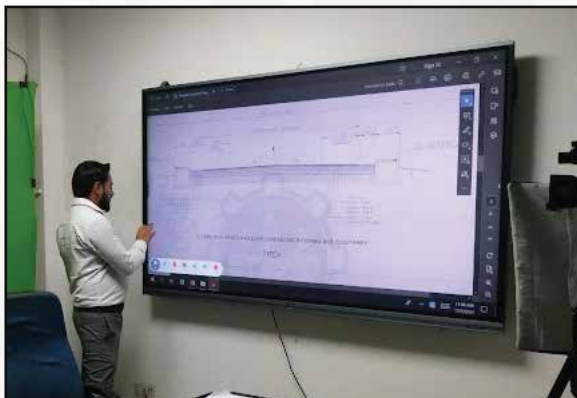


Training Process

This is our tried and tested training process method that helps to provide you with noticeable improvements in efficiency and communication among employees with the practical skills as per construction demand.



On-site Training



In-Class Training



Assessment & Certification

Professional Training Course

Master the most in-demand skill of Construction Industry, Engineering & Architecture and boost your career

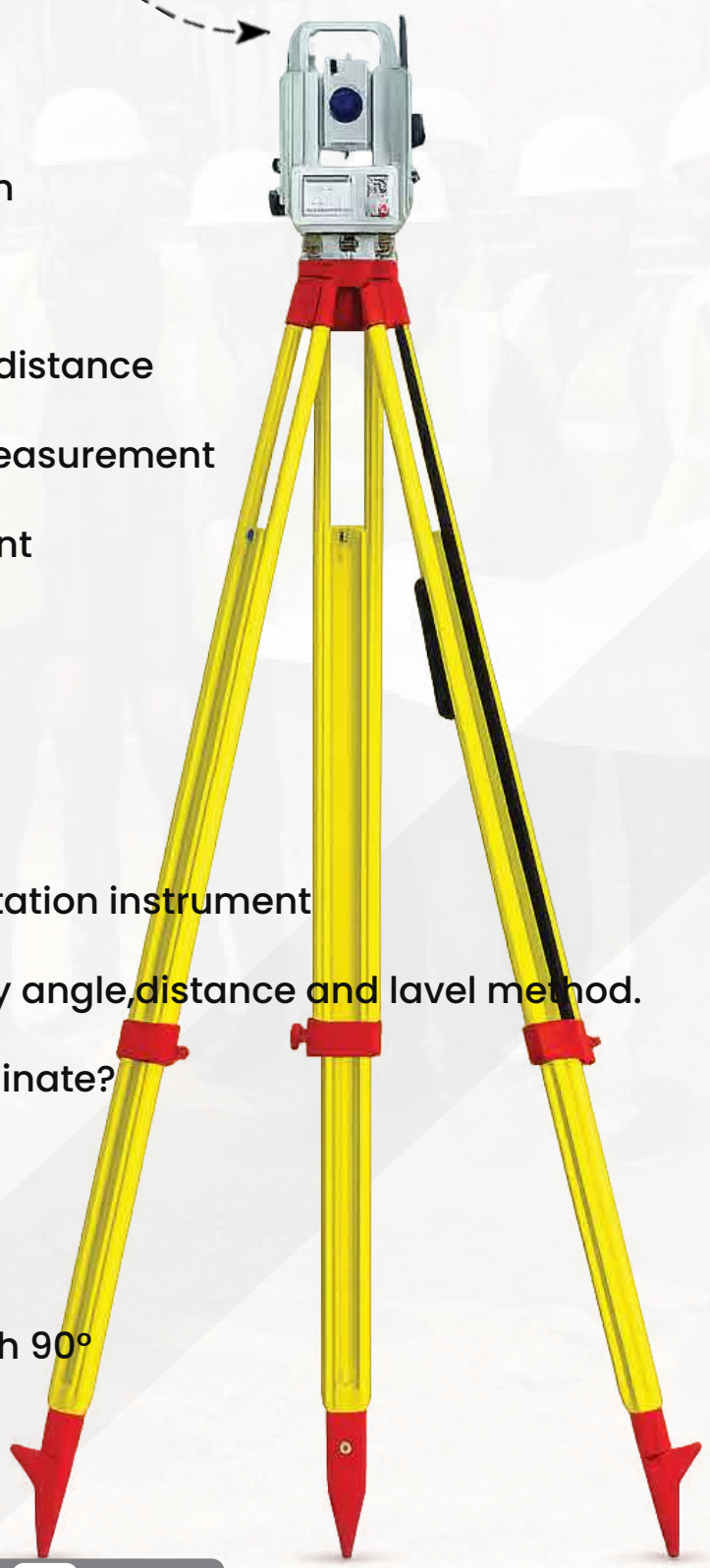
Get trained from Industry Experts worked at



Training Module

Total Station

1. Introduction of total station instrument
2. Main parts of total station
3. Function of total station
4. Centring and levelling of total station
5. Tilting of total station
6. Find horizontal, vertical and sloping distance
7. Find horizontal and vertical angle measurement
8. REM- Remote elevation measurement
9. MLM-Missing line measurement
10. PTL-Point to line
11. Area measurement
12. Methods of error checking of total station instrument
13. Practical of error checking on site by angle, distance and level method.
14. What is coordinate and types of coordinate?
15. Different Formets of coordinate
16. Formulas for coordinate calculation
17. Coordinate calculation with true north 90°
18. Coordinate calculation with angle



Training Module

Total Station

19. All types of set up of total station instrument
20. Orientation with angle method
21. Orientation with backsite or coordinate method
22. Resection by ENZ or cordinate method
23. Resection by elevation method
24. Topography survey by total station
25. Cadastral or boundary survey by total station
26. Profile or L section survey by total station
27. Cross section survey by total station
28. Contour survey by total station
29. Traverse survey by total station
30. Data transfer or export from total station to USB or pendrive
31. File conversation from SDR to Excel, CSV and Auto cad dwg.
32. All Excel work and it's important formulas
32. All Important commands of auto cad
33. Preparation of topography map on AutoCAD by using data of topographic survey



Training Module

Total Station

- 34. Preparation of boundary map on AutoCAD by using data of boundary survey
- 35. Preparation of Contour map on AutoCAD by using data of contour survey
- 36. Preparation of L- section drawing on AutoCAD
- 37. Preparation of cross section drawing on AutoCAD
- 38. Data transfer import from USB to total station
- 40. Stake out of points by total station
- 41. Distance offset by total station
- 42. Define baseline by total station
- 43. Define arc or arc marking
- 44. Layout marking by using total station
- 45. Center line marking by total station



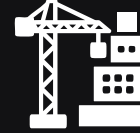
Why Learn Land Surveying?



**High
Demand
Skill**



**On-Site
Learning**



**Used in
Various
Projects**



**Opportunities
in India
& Abroad**



**Learn
Modern
instruments**



**Improve
Technical
Knowledge**



**Better
Salary
Growth**



**For both
Fresher &
Professionals**

Career Scope After Training

You can Become:

Land
Surveyor

Site Survey
Engineer

Highway
Surveyor

Bridge Survey
Engineer

Layout
Engineer

Infrastructure
Survey Technician

Opportunities available in Infrastructure, Highway, Bridge, Metro, Building & Industrial Projects.

Industries Where Surveyors Work



**Building
Construction
Projects**

**Highway &
Expressway
Projects**



**Railway,
Metro & Bridge
Projects**

**Mining &
Infrastructure
Projects**



Who Can Join This Training



**10th, 12th
Students**



**ITI/ Diploma
/ B-Tech
Students**



**Civil
Engineering
Students**



**Working
Professionals**

Countries with High Demand



Australia



Canada



New Zealand



United Arab Emirates



Saudi Arabia



United States



Germany



Qatar



Singapore



Oman



Kuwait



Norway



Sweden



South Africa

Features of the Program

- Practical Site Oriented Training
- Live Instrument Handling
- Real Project Based Learning
- Industry Experienced Trainers
- AutoCAD & Excel Included
- Weekly Practical Sessions
- ISO Authorized Certification
- Interview Preparation Support
- Job Assistance